

Tree Planters' Notes Issue 14, April 1953

TRACTOR LUG FOR DIGGING TREE PLANTING HOLES

William R. Jalosky, Forester  
Superior National Forest, Duluth, Minnesota

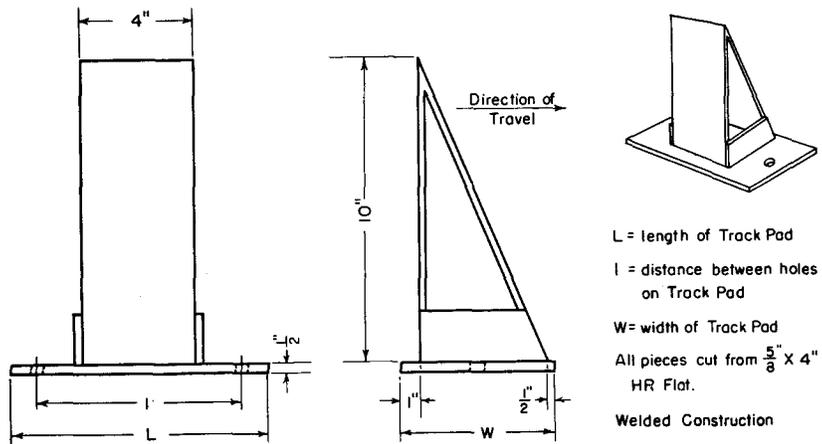
The following sketch illustrates a planting lug which may be attached to a tractor to facilitate planting. The device was suggested by William R. Jalosky, Forester, formerly of the Chippewa National Forest.

Mr. Jalosky makes the following comment in his work improvement suggestion:

At the present time mattocks are being used on many disked areas on the Chippewa National Forest to make deep holes in which to plant nursery stock. As an alternative, this device was used on about 110 acres on the Cut Foot Sioux Ranger District during the planting season in Spring 1950 on a TD-9 tractor. With six lugs in use, the spacing of the holes on the ground was about 6' x 6'. The advantages of this device are listed as follows:

1. More trees per acre.
2. More trees per planter day.
3. Straight and even rows which aid in survival counts.
4. Planters need carry only their planting stock and no tools.
5. Lug also makes its own scalps when planting open areas.
6. Mixes top soil with mineral soil for better seedling root establishment.

This planting device has widespread applicability and warrants your consideration and possible trial.



TRACTOR LUG FOR DIGGING HOLES FOR FOREST PLANTING  
 W.R. JALOSKY, Forester