

## A TWO-MAN PORTABLE ENGINE-POWERED SCALPER AND HOLE DIGGER FOR TREE PLANTING

E. L. Vinton, Forester  
Wisconsin Conservation Department  
Green Lake, Wis.



A three-man crew, two on the portable engine-powered scalper and hole digger and one to plant the trees, can plant small odd-shaped sites or larger rough sites cheaper and better than by conventional means. W. D. Brooks of Green Lake, Wis. developed and is using successfully the planting machine shown in the sketch and photograph. This machine was designed by Mr. Brooks to plant areas that are uneconomic or impossible to plant with the conventional tree planter because of size of field, irregular shape, slope, inaccessibility, or other reasons.

This machine weighs approximately 50 pounds and is easily carried and operated by two men. It scalps sod, with a rotary chopping action of the attached sickle sections, to the desired depth. The well-mulched combination of soil and vegetative material is mounded in the circle around the planting hole, where it is handy for hand planting the tree.

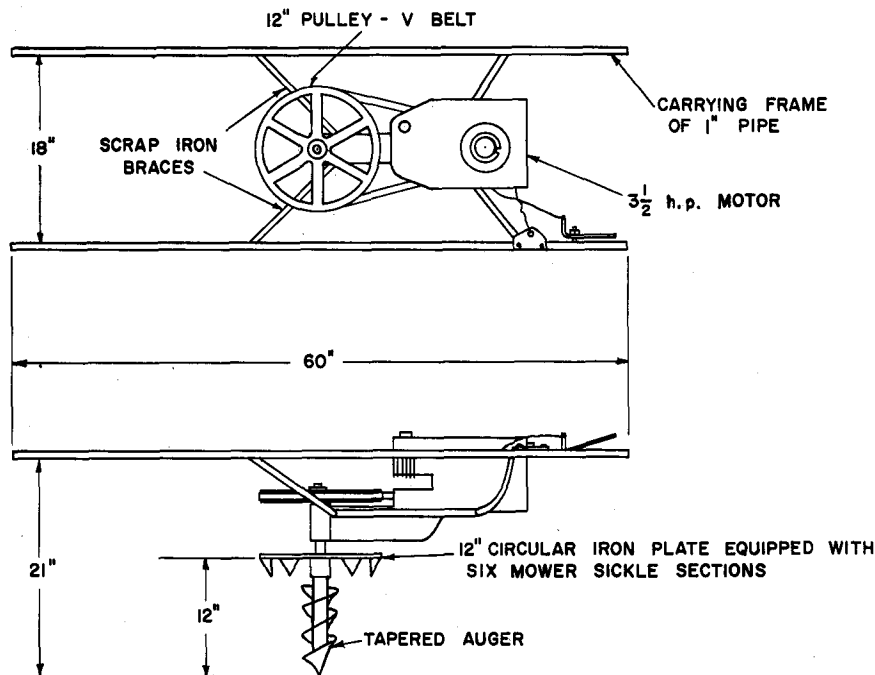


Figure 1.--Brooks unit (side view).