

## A TRACTOR STOPPER PROTECTS THE PLANTING MACHINE OPERATOR

L. E. Lundberg, Forester  
Division of Timber Management, U.S. Forest Service  
Milwaukee, Wis.

The planting machine operator is in a vulnerable situation. To protect himself if anything goes wrong, he should be able to stop the tractor immediately. This requires a device either to signal the tractor driver or to cut off tractor operation directly. The device should be easily reached in an emergency and easily activated.

Devices shown in figures 1 to 3 are used on planting machines on National Forests in the North Central Region. At a recent meeting timber-management staff officers submitted these sketches and descriptions to exchange information and possibly standardize devices. Anyone planting by machine will be interested in them.

Note: The devices that cut off tractor operation may be hazardous when planting hilly, brushy land because the man on the planting machine may stop the tractor at the exact moment the tractor operator needs power to keep the equipment out of trouble.

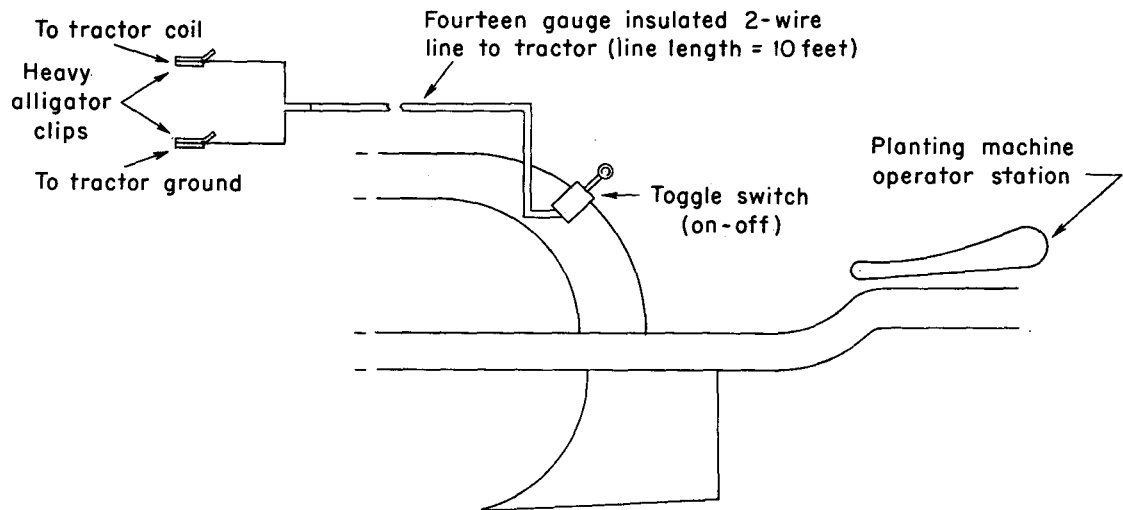


Figure 1.--Tractor cut-off system, electrical (Clark National Forest). A rubber band from an innertube is used to contain the slack from the line. The system has been used on the Rolla District since 1957.

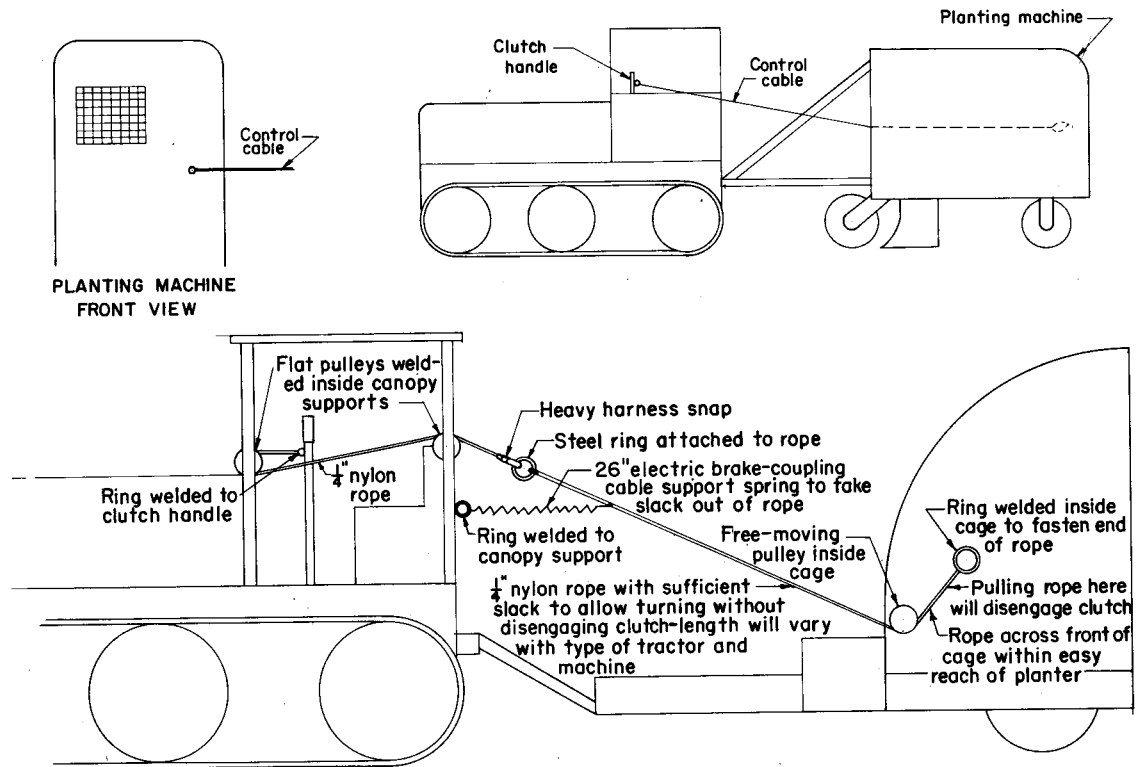


Figure 2.--Tractor cut-off systems, mechanical: Top, Chippewa National Forest; Bottom, Ottawa National Forest.

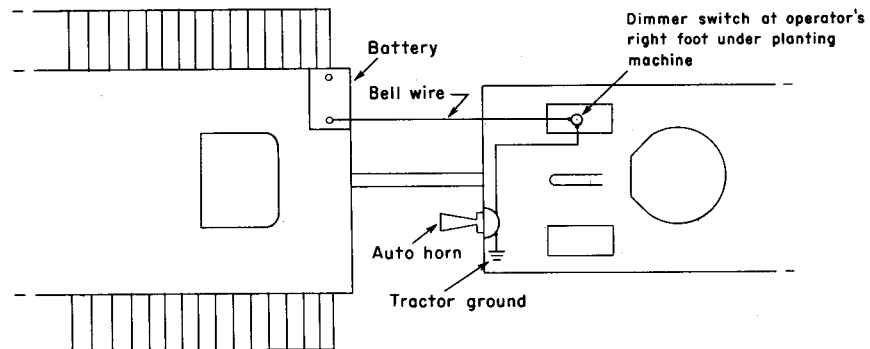


Figure 3.--Horn signal systems: Top, Nicolet National Forest. Lower Michigan uses a similar system. The Hiawatha National Forest uses a loud gong tripped by a pull rope running along one side of the planting machine; Right, A freon air horn, Chequamegon National Forest.

