

### PACKING TABLE FOR BUNDLING SEEDLINGS

G. W. King, Nursery Superintendent  
Department of Conservation and Development  
Providence Forge, Va.

A packing table for bundling seedlings has been developed in our nursery and improved over a 10-year period (figs. 1 -2). We now have eight tables in operation, a number adequate for packing 1 million seedlings in 8 hours.

Some of the advantages of this table are as follows:

1. Table is designed to be compact and to take a minimum of floor space.
2. Each table is a compact unit. Even the steel tape reel is built in.
3. All material for packing is within easy reach of the operator.
4. By using the interchangeable and adjustable front board, all sizes of packages can be handled on the same table.
5. A handy tool shelf is directly before the operator.
6. The aluminum channel tape guide is most helpful and makes it possible to use either front feed or back feed tape tightening machines.

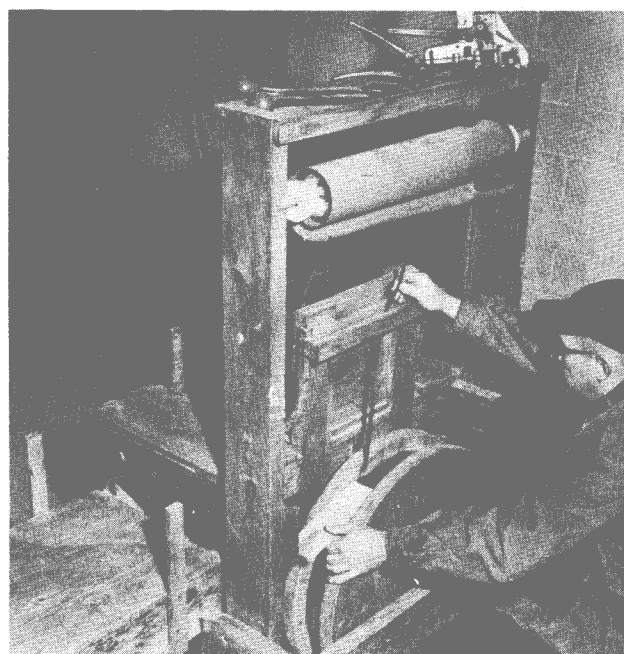


Figure 1--Packing table: Left, Steel tape being fed into aluminum channel guide; right, steel tape being brought from tape reel into position for bundling.

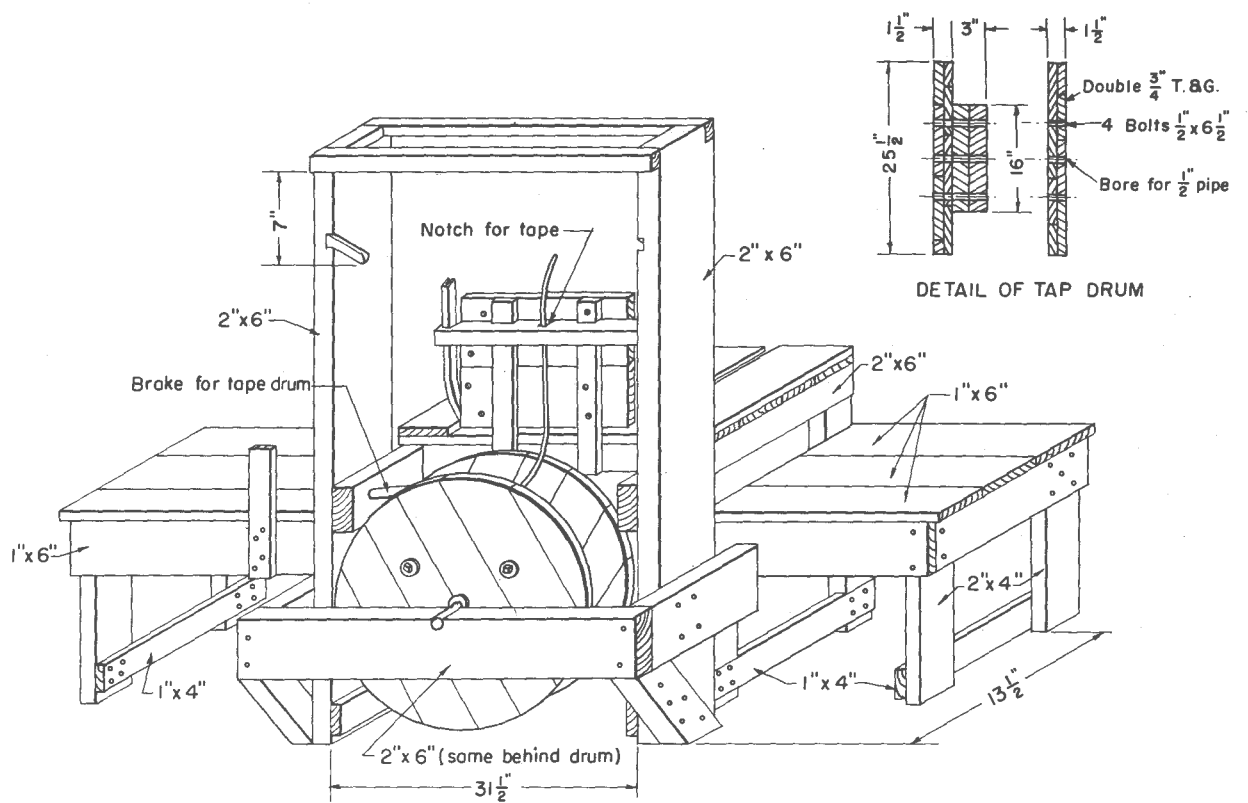
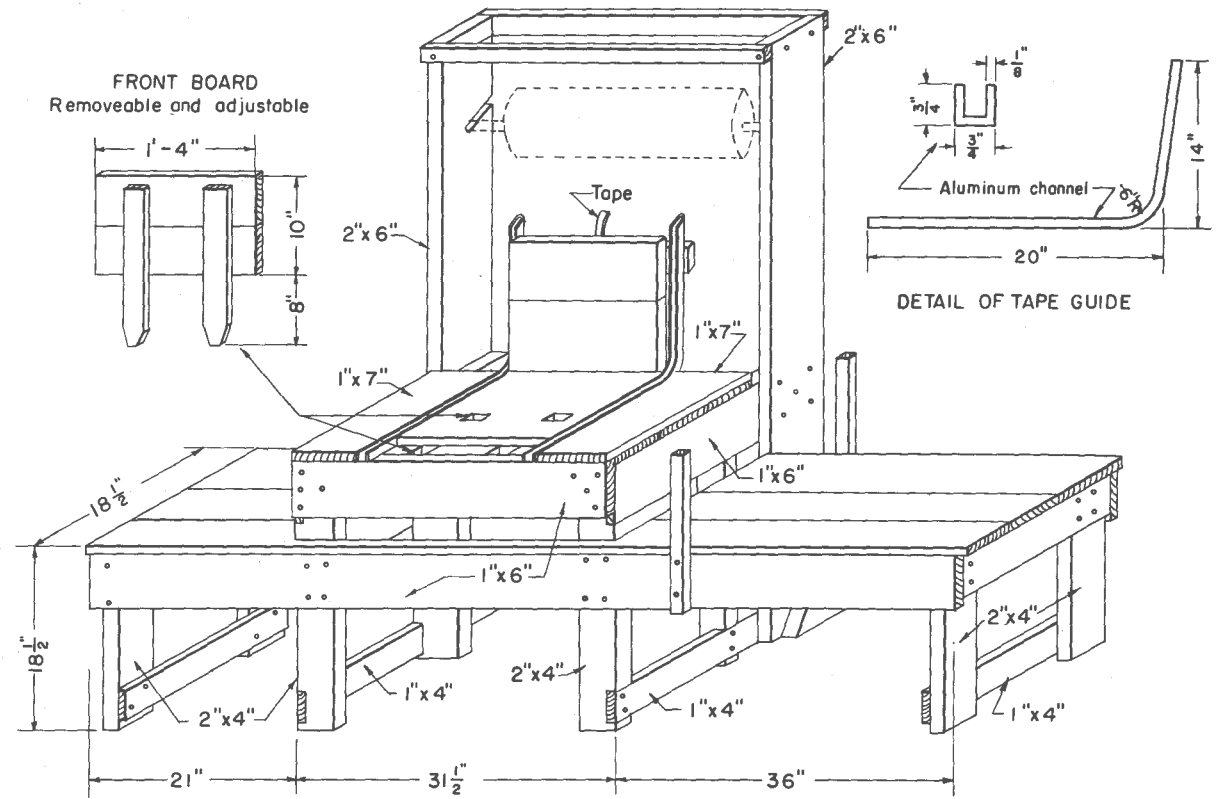


Figure 2.--Front and back of packing table.