

L. M. Futrell, Stuart Nursery, U.S.F.S.
 Pollock, La.

The present method of raking seedbeds by hand preparatory to sowing takes considerable time and labor when both of these commodities are at a premium. Use of a bed smoother eliminates hand labor and saves time with no additional tractor power needed. The estimated saving is \$ 15 per acre, or \$ 750 to \$ 800 during each spring sowing season at the Stuart Nursery.

The seedbed smoother is a sledlike apparatus, which is dragged over the seedbed behind the tractor shaping the bed. It was constructed from scrap materials in the dimensions shown (fig. 1). The sled section is made of 1 -inch pipe welded at all joints. The frame of the floating section is of the same material and is suspended at four points to the sled section by chain. The rear cross member of the floating section is made of 20-pound railroad steel to provide necessary weight to hold the cross chains to the bed. The chains were salvaged from truck tire chains, but twist link chain or well chain will be satisfactory. The cross chains slope to the rear from the ridge chain and are fastened to the sides of the floating section at an angle of 45 degrees by wire through holes in the pipe. The smoother is pulled by 5/16-inch welded chain fastened to a hole in the tractor drawbar with a clevis. The tractor drawbar rides about 16 inches above the seedbed.

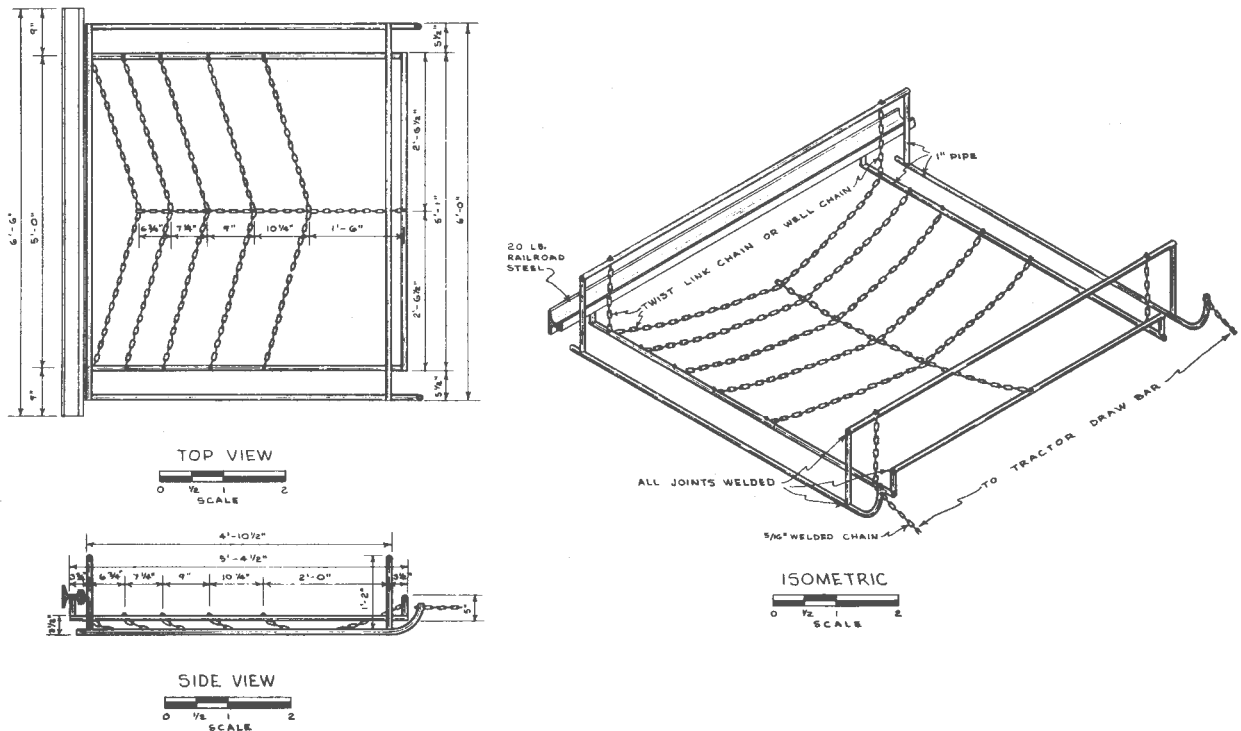


Figure 1.--Seedbed smoother.